

OCEANUS

THE POWER PACK

*New!*

STAINLESS

140 l/min



For a professional performance, which offers toughness, mobility and greater air capacity!

**OCEANUS** is designed to go on vessels, diving boats and expeditions .

The use of **stainless steel** and **kevlar** for frame and filling device ensures extreme resistance to corrosion. The **light weight** and **compact** unit is portable by a single person and fits in every boat.

The patented **TRIPLEX** filter system guarantees purest breathing air acc. to **DIN EN 12021** (formerly DIN 3188).

## COMPACT · POWERFUL · TOUGH

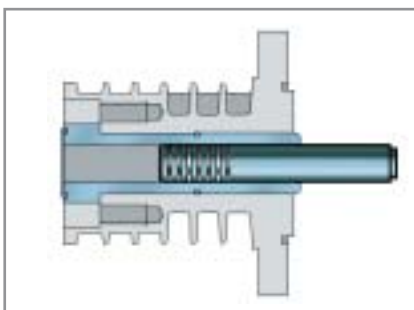
The newly developed **OCEANUS** shows up with outstanding performance data: Compared to JUNIOR II the OCEANUS fills the diving cylinder **40% faster** at almost identical dimensions and just slightly higher weight.



stainless filling device



corrosion resisting coolers



high-performance final stage

### DURABLE AND EXTREMELY TOUGH

- For best possible resistance to corrosion frame, handle and safety-filling device are made of **stainless steel**. Filling hose is made of **kevlar**. Inter- and after coolers are made of **galvanized steel**.
- Piston rings made of a newly developed high-tech synthetic material offer **outstanding wear values**.
- The **new** low-pressure **lubrication** guarantees an even **higher life span** of all moving parts.

### EXTREMELY SEAWORTHY

- The large capacity of the oil sump allows operation in **extreme inclinations of up to 30°.**<sup>1)</sup>

### SAFE HANDLING

- Moving parts such as v-belt, pulley and fan are **fully protected**.

### BAUER WORLDWIDE SERVICE NETWORK !

- Supported by the **global service network** and spare parts supply located in more than 50 countries. BAUER provides "do it yourself" maintenance training courses.

## TECHNICAL DATA

Type max. 330 bar <sup>2)</sup>	Drive	FAD l/min*	min <sup>-1</sup>	Filling rate min**	Engine		Filter system TRIPLEX®	Dimensions cm			Weight net kg
					kW	HP		L	W	H	
OCEANUS - B	4 - stroke petrol <sup>3)</sup>	140	2300	1.4	4.0	5.5	P21	79	35	42	47
OCEANUS - E	3 phase	140	2300	1.4	3.0	4.0	P21	66	40	42	52

1) max. allowable inclination of petrol version 20° only due to Honda engine

2) available with switch over device 330 / 225 bar or 225 bar/330 bar alternatively

3) with telescopic intake tube and HONDA motor with telescopic intake tube and HONDA motor

\* Cylinder filling from 0 to 200 bar

\*\* Filling rate for 1 l cylinder capacity from 0 to 200 bar



### BAUER KOMPRESSOREN GmbH

P.O. BOX 710260 · D-81452 MÜNCHEN  
 DRYGALSKI-ALLEE 37 · D-81477 MÜNCHEN  
 PHONE 0049 89 78049-0  
 FAX 0049 89 78049-167  
 Internet: [www.bauer-kompressoren.de](http://www.bauer-kompressoren.de)  
 e-mail: [info@bauer-kompressoren.de](mailto:info@bauer-kompressoren.de)